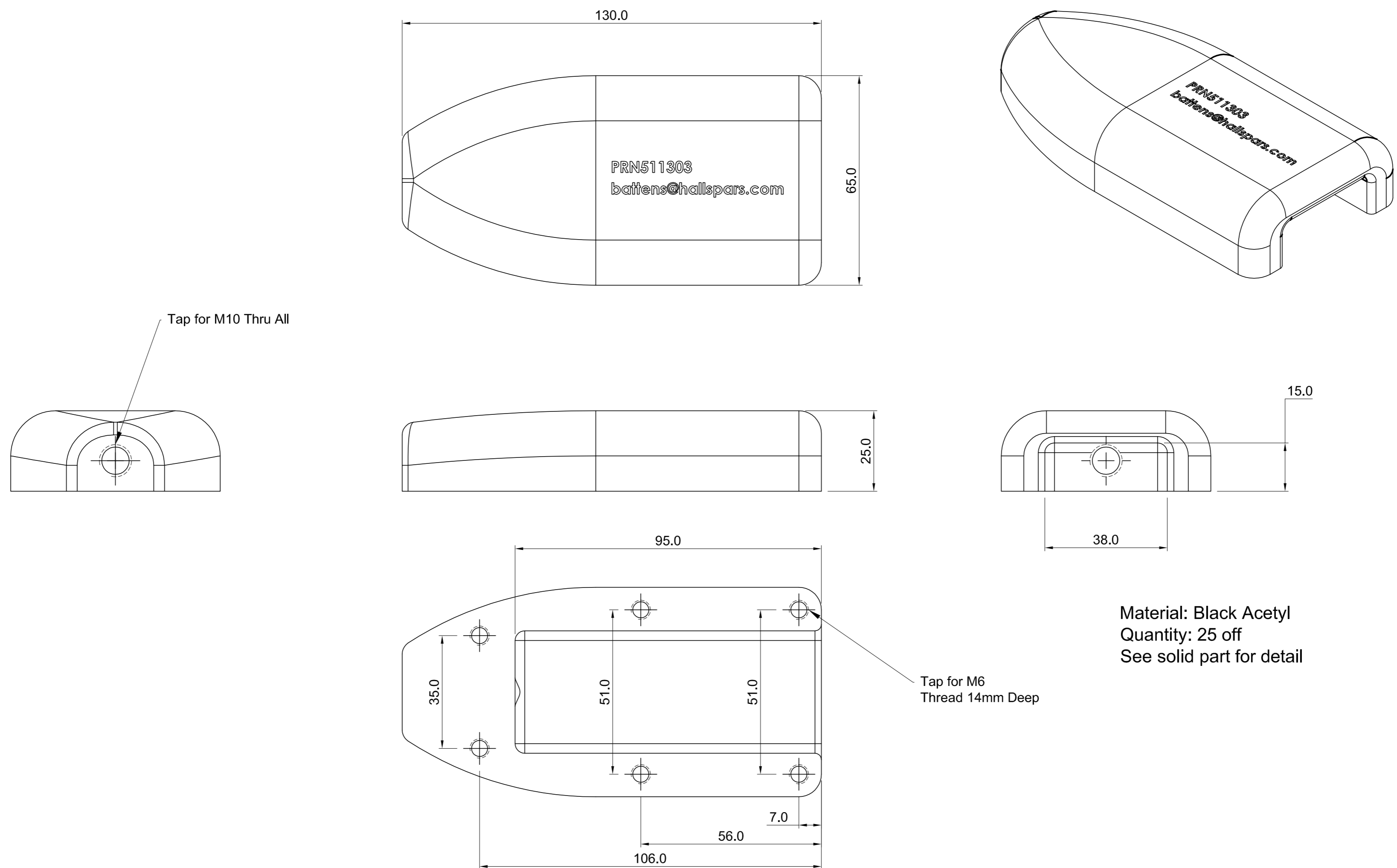
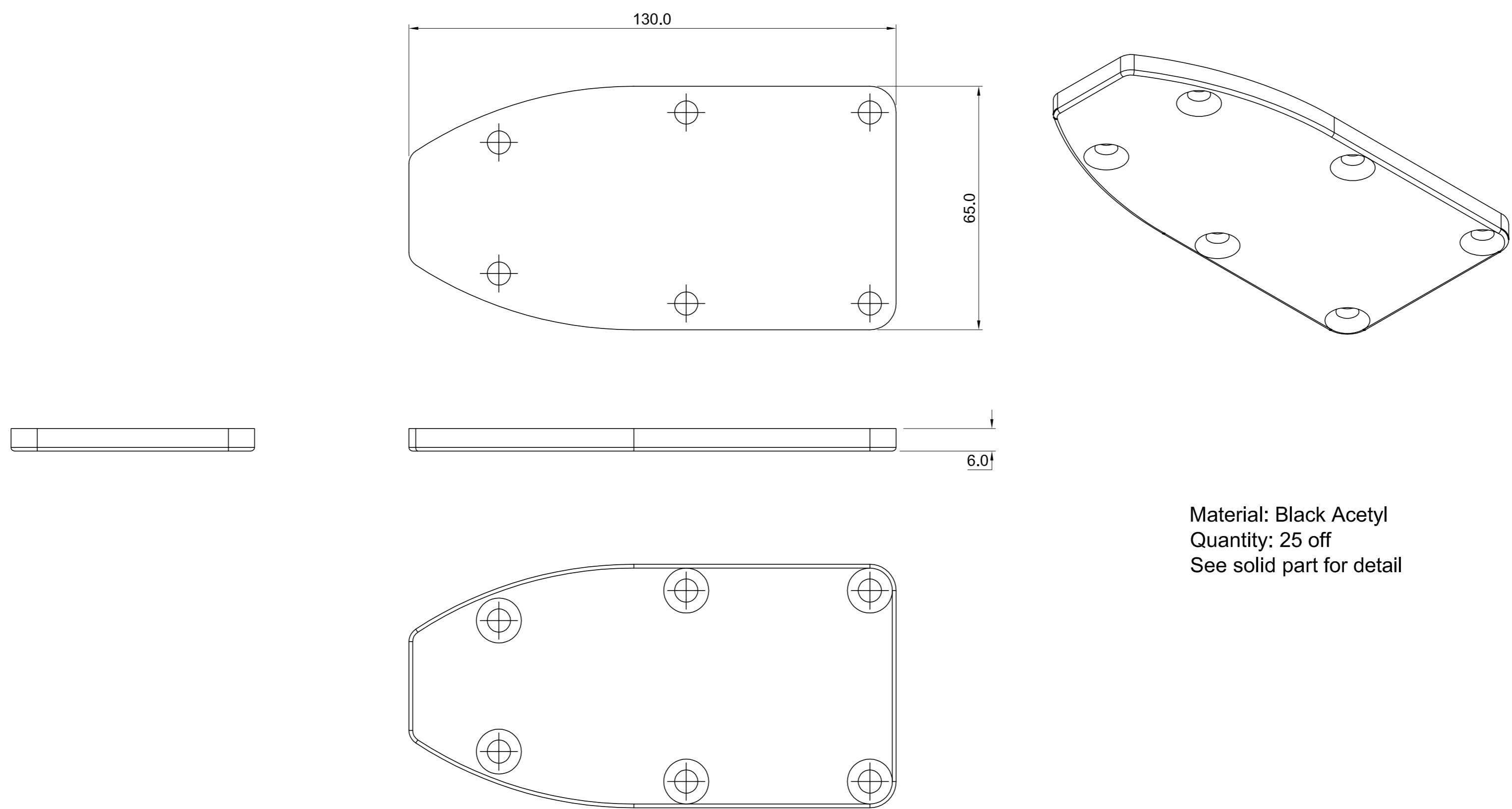


PRN_511303



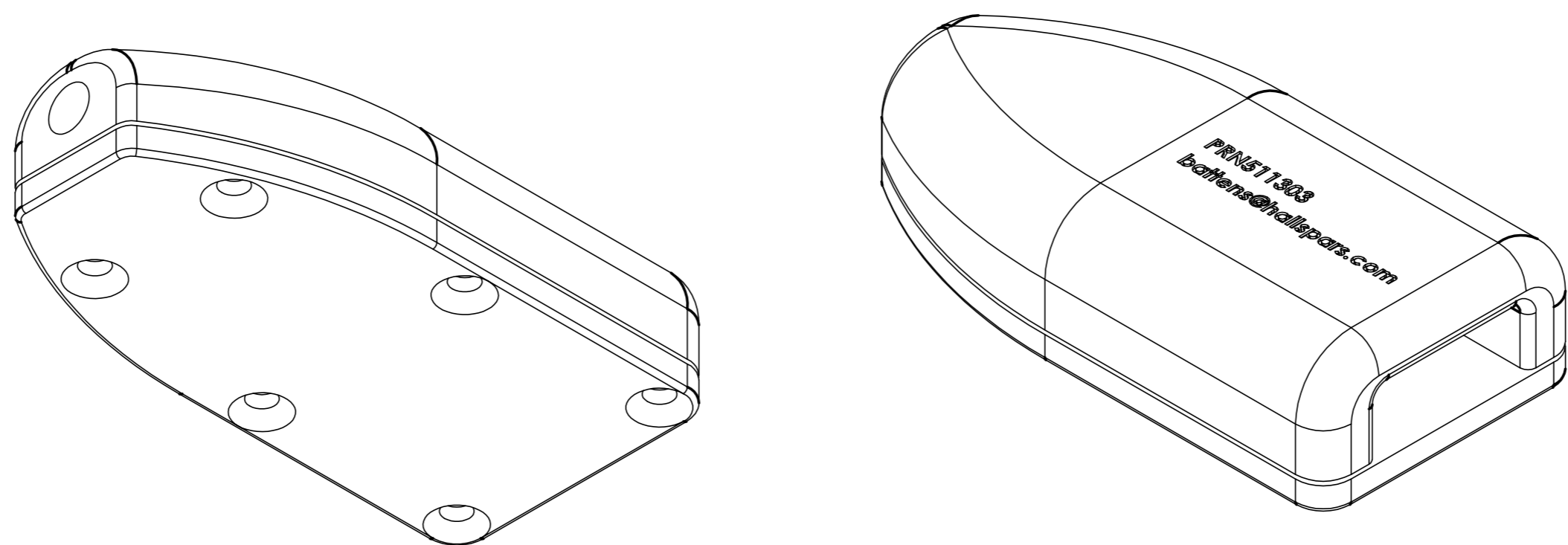
Material: Black Acetyl
Quantity: 25 off
See solid part for detail

PRN_511302



Material: Black Acetyl
Quantity: 25 off
See solid part for detail

Assembly View

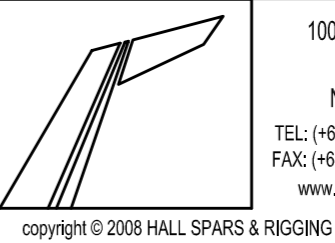


| ITEM NO. | PART NUMBER | DESCRIPTION | MATERIAL | FINISH |
|----------|-------------|-------------|----------|--------|
| - | - | - | - | - |

| DIMENSIONS | TOL. |
|------------|-------|
| 0 - 10 | ±0.1 |
| 10 - 50 | ±0.2 |
| 50 - 250 | ±0.3 |
| 250 - 1000 | ±0.5 |
| 1000 | ±1.0 |
| NG&R | ±0.1* |

| REV | DESCRIPTION | DATE |
|-----|-------------|------|
| - | ISSUE | |

| PROJECT | |
|--|--|
| 100 Foundry Rd Silverdale New Zealand TEL: (+64) 9 427 5472 FAX: (+64) 9 427 5757 www.hallspars.com | 1836 Non Adjustable Acetyl Luff Receptacle |
| DRAWN BY: MS | PART/REV NO: PRN_511303 |
| SCALE: 1:1 | UNITS: mm |
| FILE NAME: D:\1\Current Projects\17 | FORMAT: A1 |
| | DATE: 14/12/2016 |



copyright © 2008 HALL SPARS & RIGGING