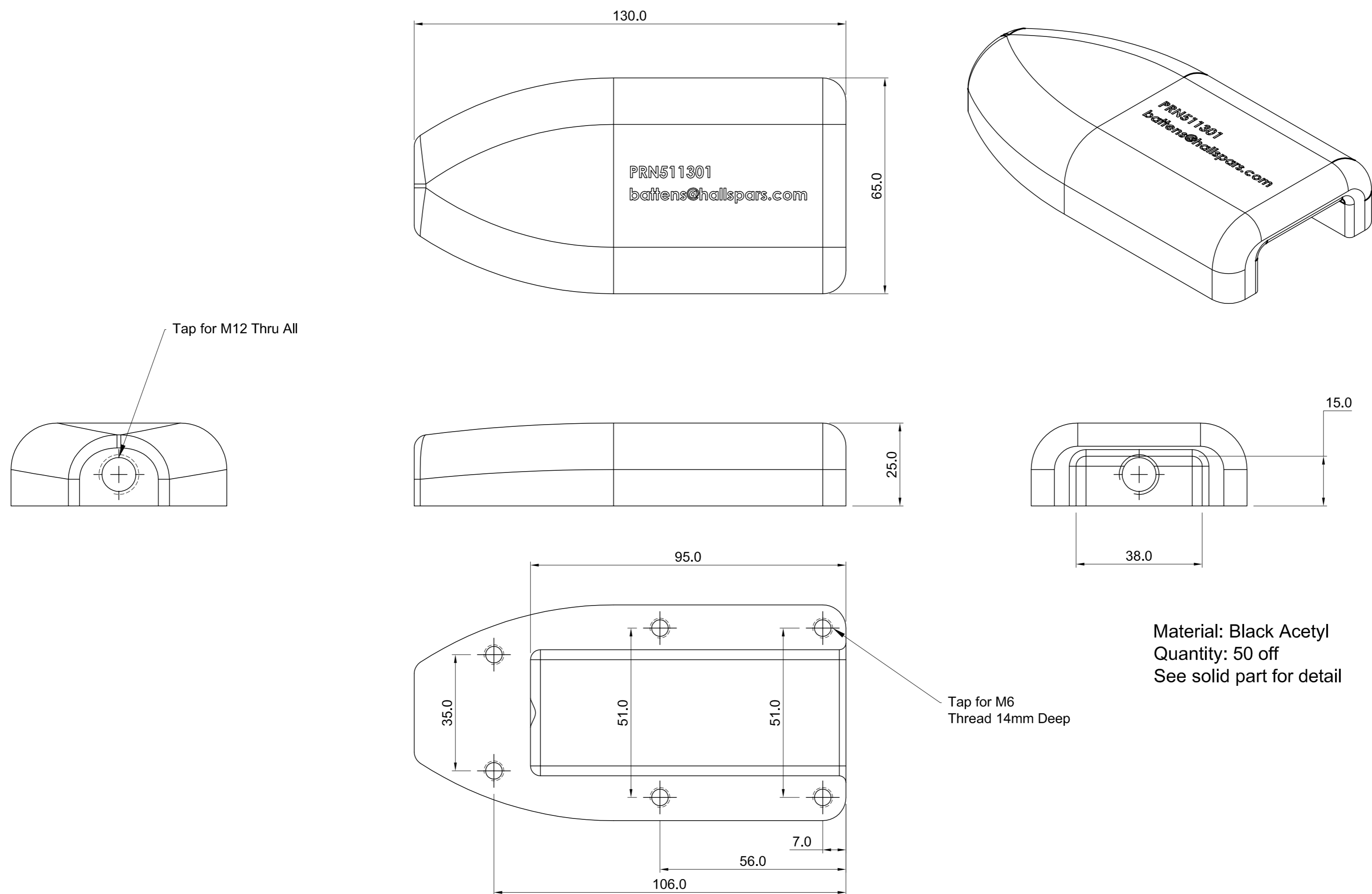
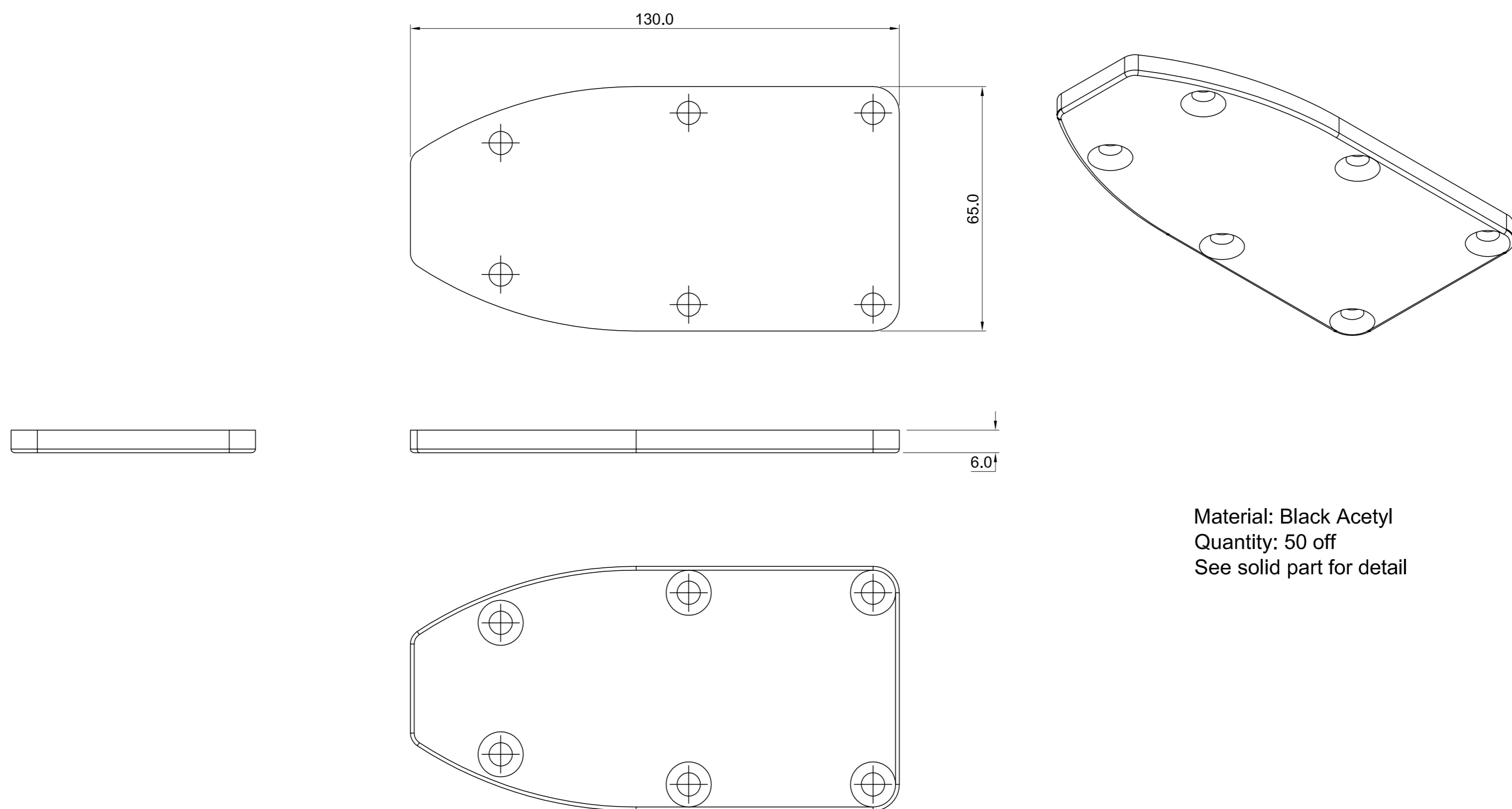


PRN\_511301



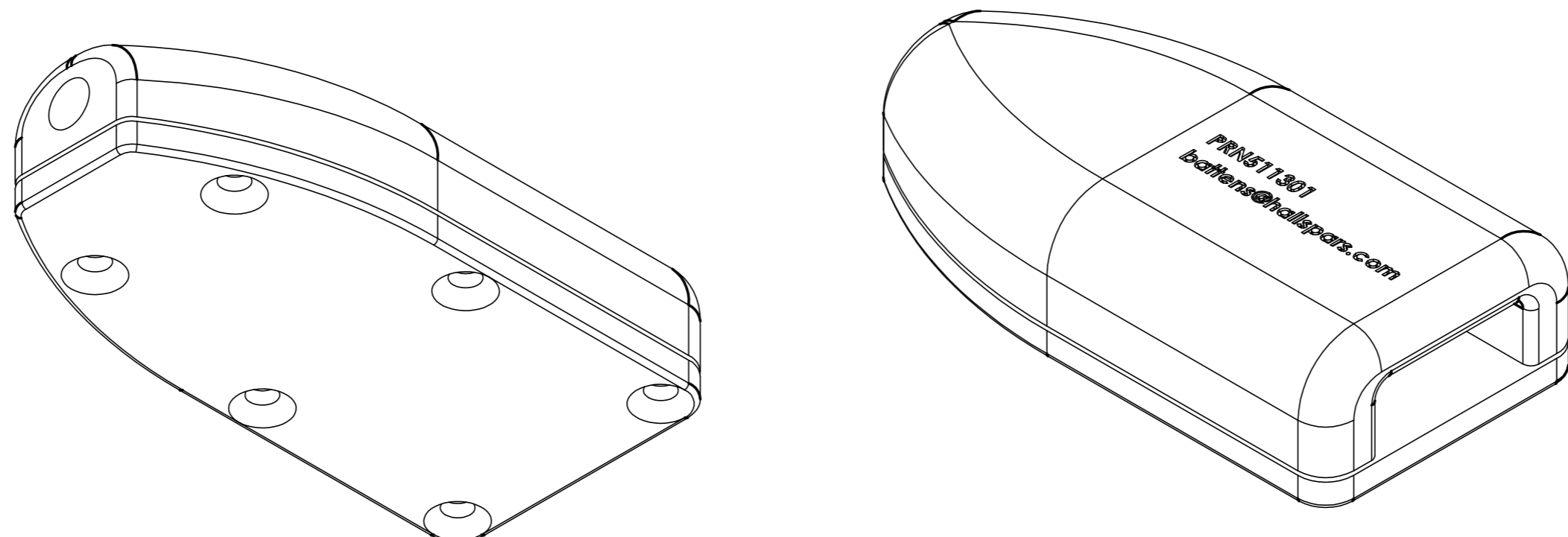
Material: Black Acetyl  
Quantity: 50 off  
See solid part for detail

PRN\_511302



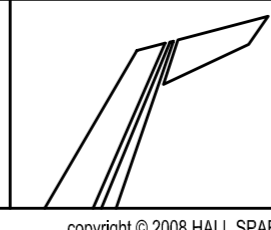
Material: Black Acetyl  
Quantity: 50 off  
See solid part for detail

Assembly View



ITEM NO.	PART NUMBER	DESCRIPTION	MATERIAL	FINISH
-	-	-	-	-

DIMENSIONS	TOL.
0 - 10	±0.1
10 - 50	±0.2
50 - 250	±0.3
250 - 1000	±0.5
1000 - ∞	±1.0
WEIGHT	±0.1%



100 Foundry Rd  
Silverdale  
New Zealand  
TEL: (+64) 9 427 5472  
FAX: (+64) 9 427 5757  
www.hallspars.com

REV	DESCRIPTION	DATE
-	-	-

PROJECT	
DESCRIPTION	1836 Non Adjustable Acetyl Luff Receptacle
DRAWN BY	MS
SCALE	1:1
FILE NAME	D:\1\DC\Current Projects\17

PART		PROJECT	
PART NO.	PRN_511301	PROJECT	Battens
DATE	14/12/2018	DESCRIPTION	1836 Non Adjustable Acetyl Luff Receptacle
FORMAT	A1	DRAWN BY	MS
UNITS	mm	SCALE	1:1