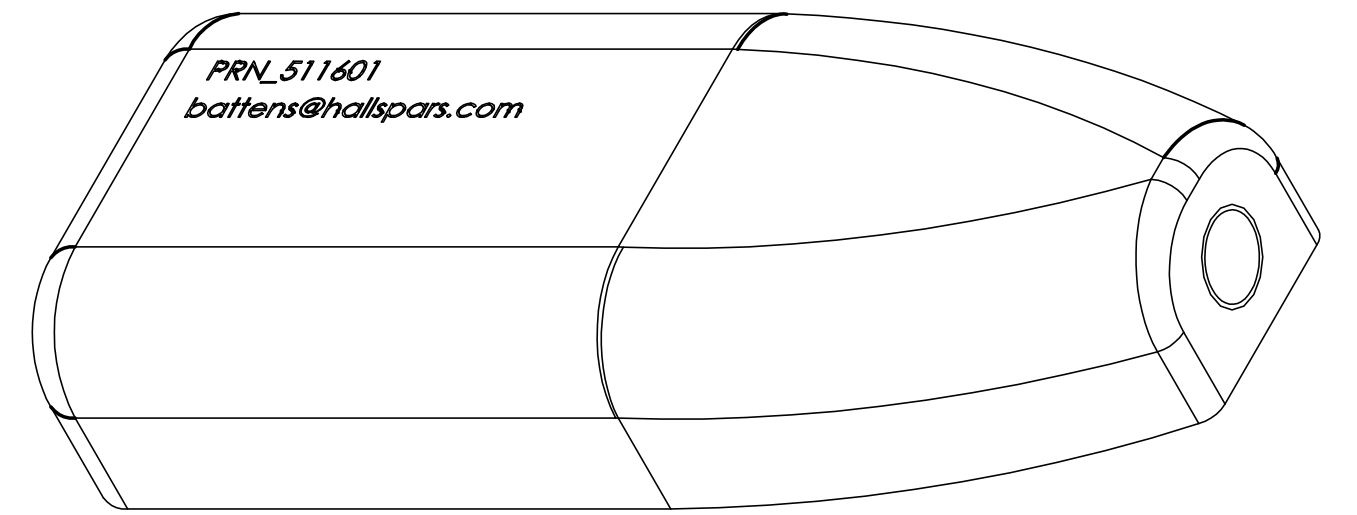
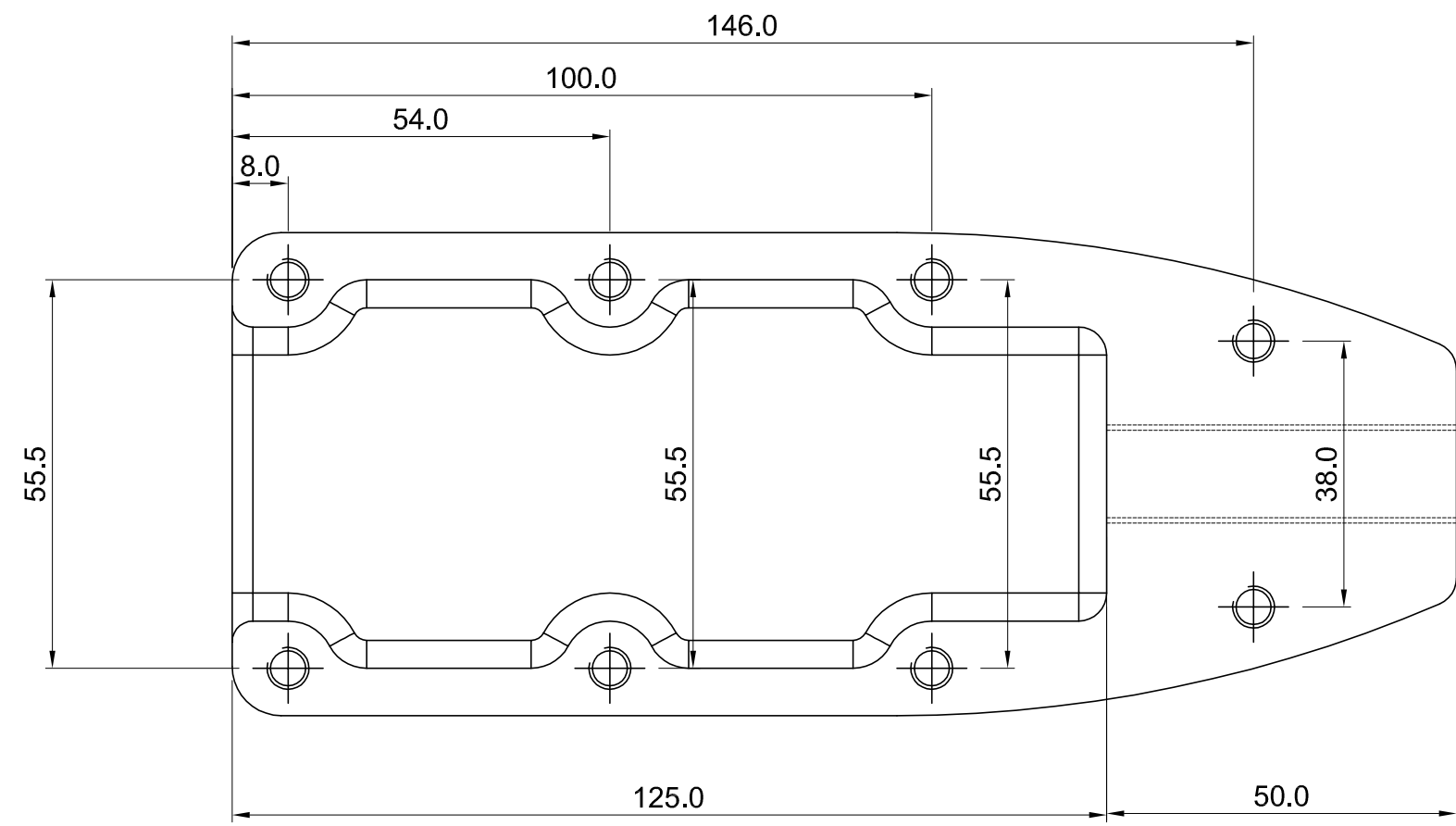
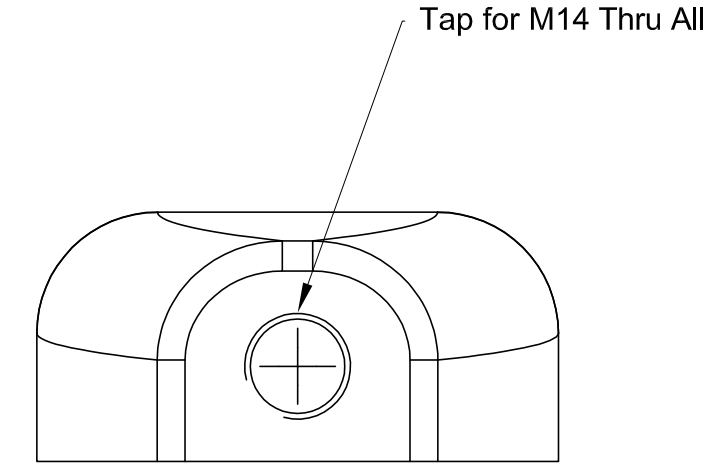
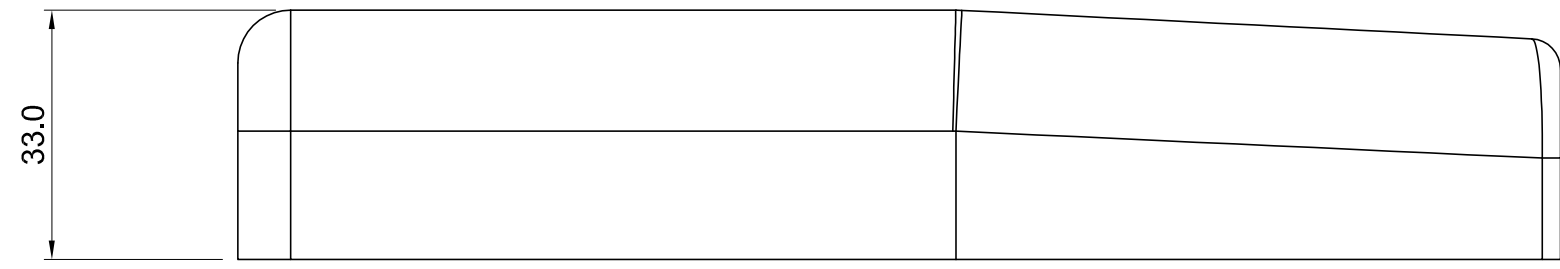
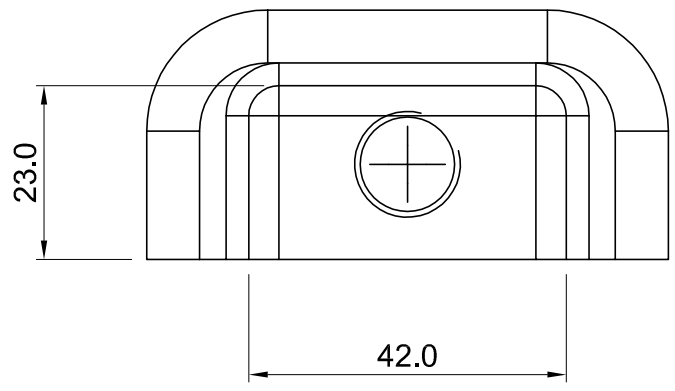
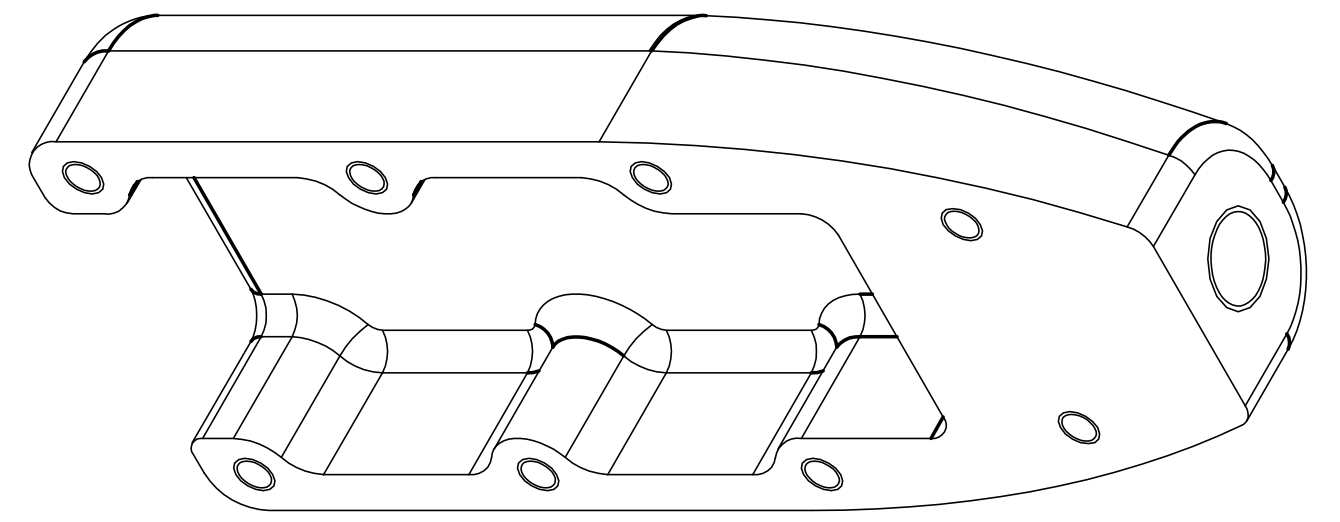
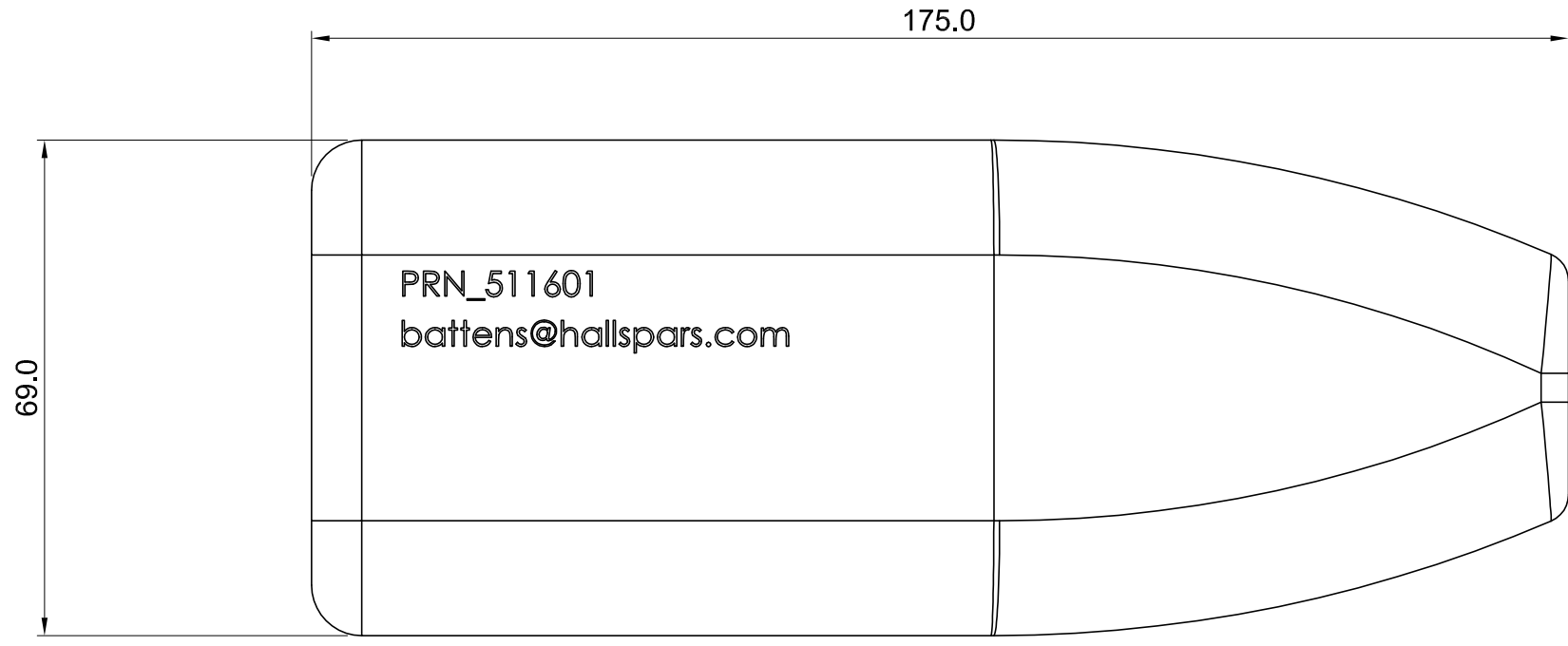


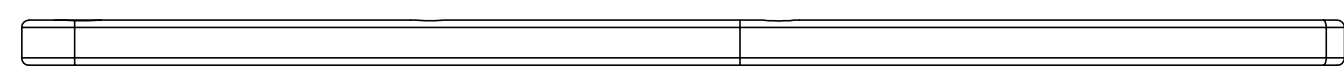
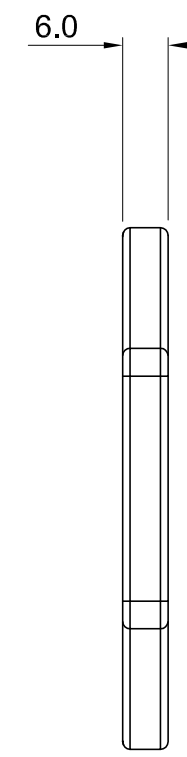
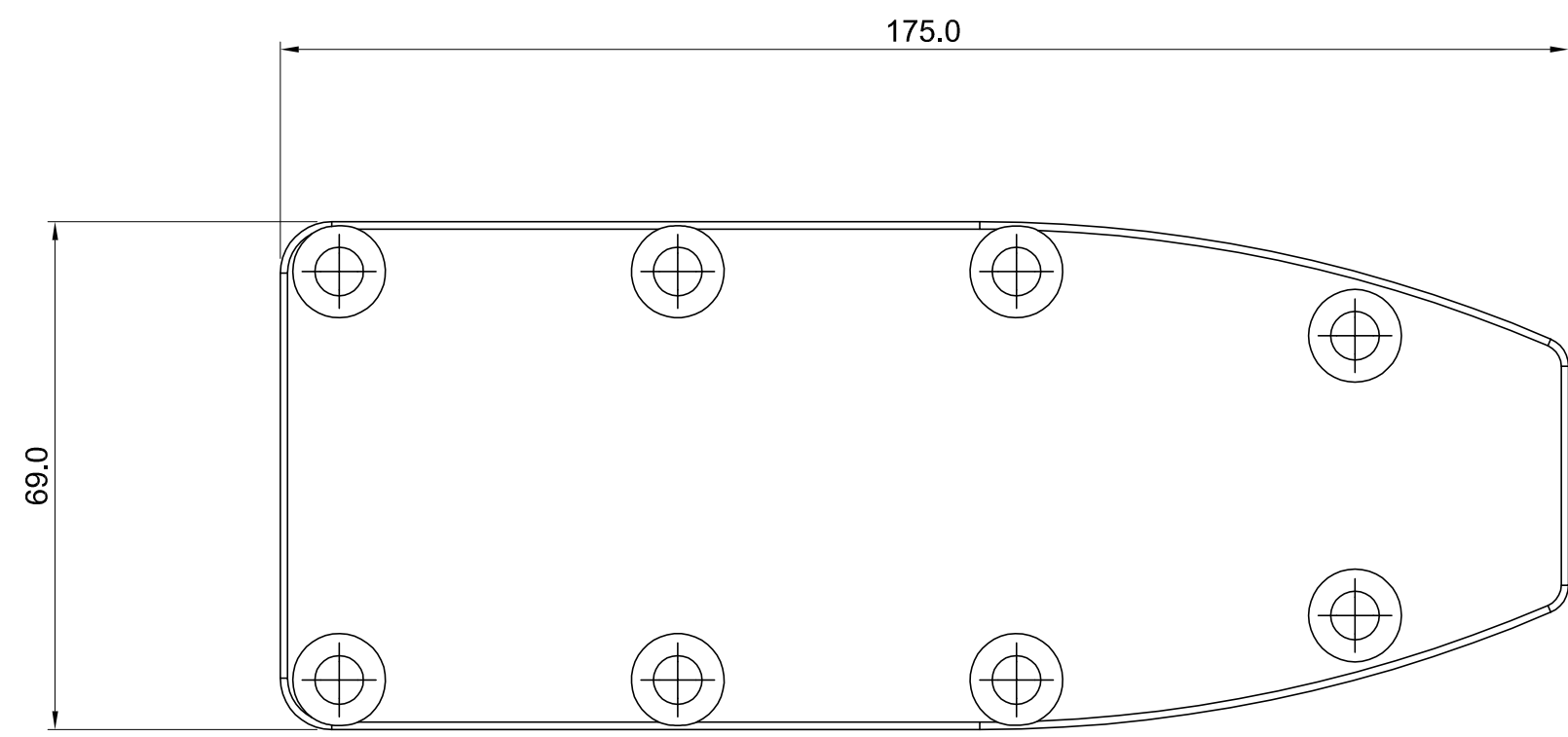
PRN\_511601

Material: Aluminium 6061  
Quantity: 7 off  
See solid part for detail

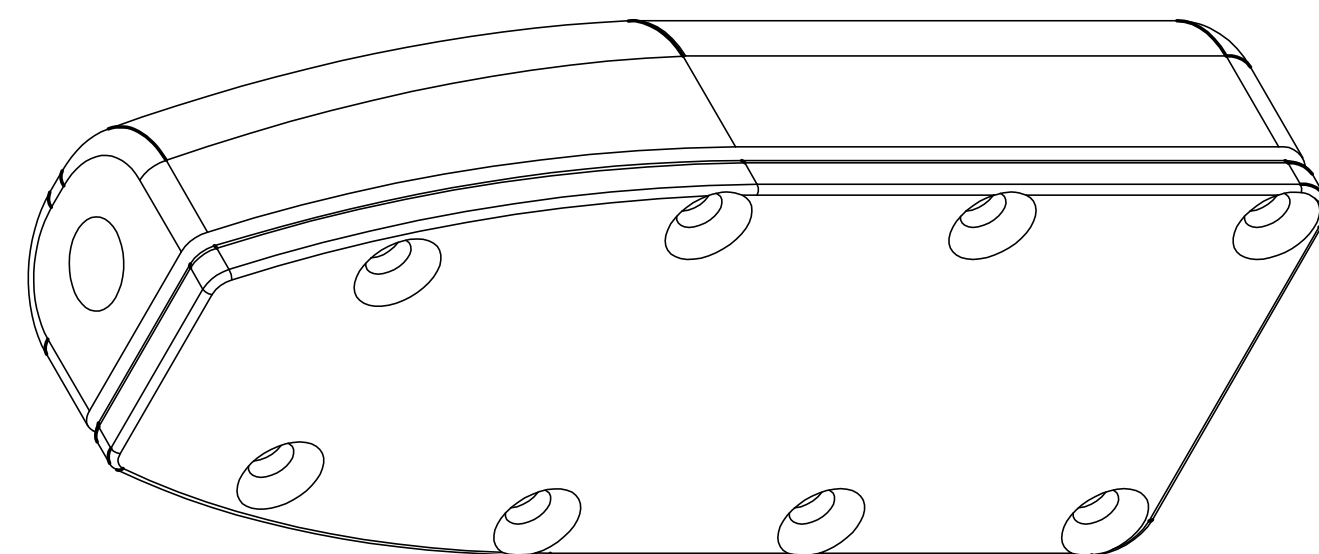
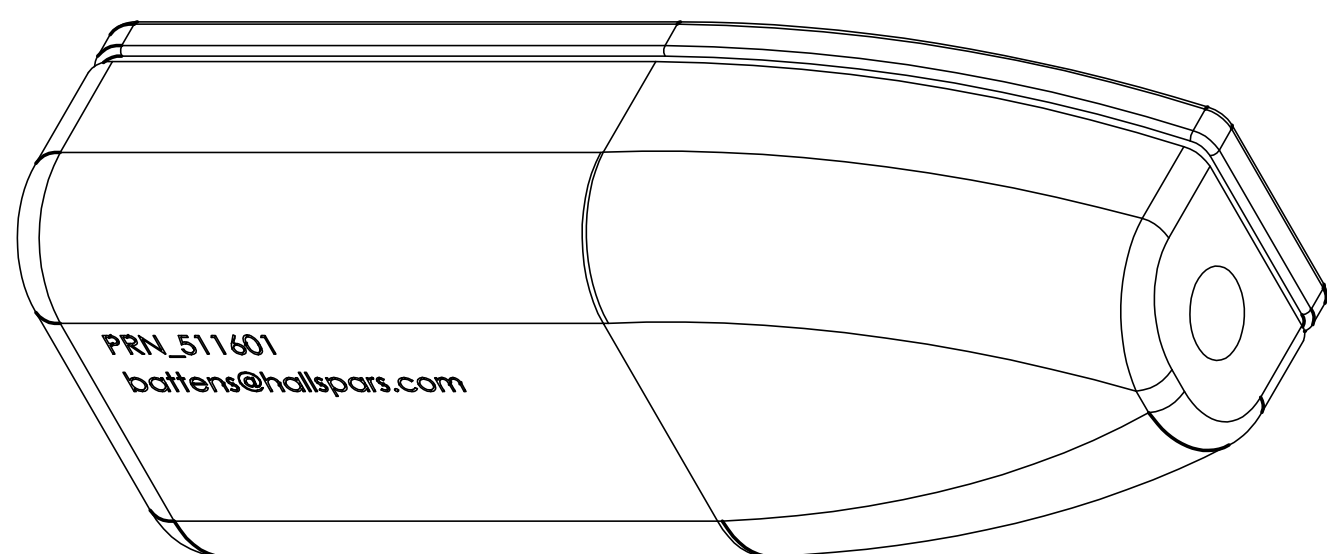


PRN\_511602

Material: Aluminium 6061  
Quantity: 7 off  
See solid part for detail

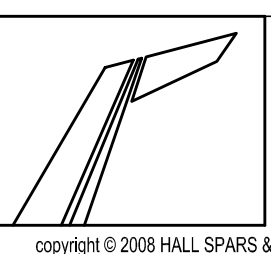


Assembly View



ITEM NO.	PART NUMBER	DESCRIPTION	MATERIAL	FINISH
-	-	-	-	-

DIMENSIONS	TOL.
0 - 10	+0.1
10 - 50	+0.2
50 - 250	+0.3
250 - 1000	+0.5
1000 - ∞	+1.0
NG&LR	+0.1*



100 Foundry Rd  
Silverdale  
New Zealand  
TEL: (+64) 9 427 5472  
FAX: (+64) 9 427 5757  
www.hallspars.com

REV	DESCRIPTION	DATE
-	ISSUE	

PROJECT	
DESCRIPTION	Battens
PARTITION NO.	2440 M14 NAALR
DRAWN BY	MS
SCALE	1:1
UNITS	mm
FORMAT	A1
DATE	28/9/2016
FILE NAME	D:\1\DCurrent\Projects\77